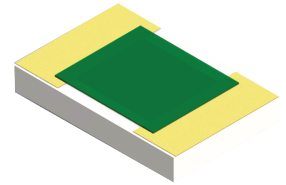


**RS0805ZZ-XXXXWN-90 Features:**

- Single-Sided (Flip-Chip) Terminal Configuration
- Solder, Epoxy or Wirebondable Terminals
- Customer Defined Testing Available
- RoHS Compliant or SnPb Available
- Non-Magnetic Available
- Tape & Reel (Film Side Down) and Waffle Pack Available (Standard is bulk)



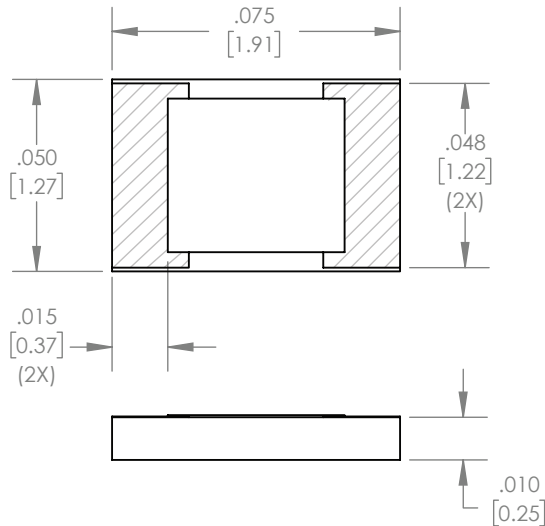
**RS0805ZZ-XXXXWN-90 Parameters:**

Resistance Range: 0.5Ω - 1MΩ  
 Rated Power:\* 250mW  
 Construction: Thick Film on 0.010" Al<sub>2</sub>O<sub>3</sub>  
 Operating Temperature: -55 to +150°C

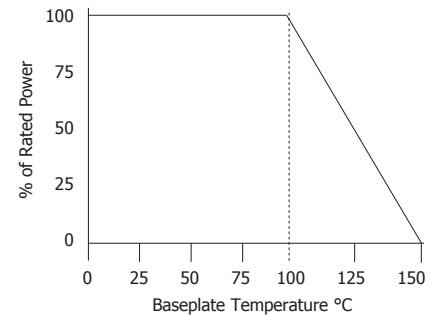
\* Rating based on ≤100°C constant baseplate temperature

■ Actual Size

**RS0805ZZ-XXXXWN-90 Dimensions:**



**RS0805ZZ-XXXXWN-90 Power Derating Curve**



Dimensions in inches [mm]  
 Tolerance is ± 0.005 [0.13]  
 unless otherwise stated

**Ordering Information:**

**Example Part Number: RS0805CT-50R0JN-90**

| RS  | 0805 | ZZ | - | XXXX                                    | W   | N   | -     | 90  | UU   |
|---|------|----|---|---|---|---|-------|---|--|
| Prefix for Resistor w/ Single-Sided Terminals |      |    |   | Value Code                              | Tolerance                                 | Normal Inspection<br>Contact factory for additional options |       | Substrate<br>90 - 0.010" Al <sub>2</sub> O <sub>3</sub> | Packaging<br>Blank - Bulk<br>WP - Waffle Pack<br>TRD - Tape & Reel |
| Size<br>0805                                  |      |    |   | 50R0 - 50Ω<br>1000 - 100Ω<br>1001 - 1KΩ | 1002 - 10KΩ<br>1003 - 100KΩ<br>1004 - 1MΩ | F - 1%<br>G - 2%<br>J - 5%                                  |       |   |  |
| Terminal Metallization                        |      |    |   | RoHS                                    | Magnetic                                  | Solder  | Epoxy | Wirebond  |  |
| AS - Tin Lead over Platinum Palladium Gold    |      |    |   | No                                      | No  | Yes   | No    | No  |  |
| CB - Tin Lead over Nickel over Silver         |      |    |   | No                                      | Yes                                       | Yes   | No    | No  |  |
| CC - 100% Matte Tin over Copper over Silver   |      |    |   | Yes                                     | No  | Yes   | No    | No  |  |
| CT - 100% Matte Tin over Nickel over Silver   |      |    |   | Yes                                     | Yes                                       | Yes   | No    | No  |  |
| GA - Gold                                     |      |    |   | Yes                                     | No  | No  | Yes   | Yes   |  |

Barry Industries reserves the right to change part number and/or process without notification.

**RS0805ZZ-XXXXWN-90 Reliability Specifications:**

| Parameter:                     | Test Condition:   | Results:   |
|--------------------------------|---|--|
| Short Time Overload            | Apply 1.1x Rated Power for 5 Seconds.   | ≤ 5.0% Resistance Shift  |
| Rated Load Life                | Apply 1/2 Power Under 40°C ±2°C<br>90 Minutes on/ 30 Minutes off.<br>Repeat for 100 hours | ≤ 5.0% Resistance Shift  |
| Moisture Resistance            | MIL-PRF-55342 para 4.8.9<br>95% RH, 25°C - 65°C   | ≤ 5.0% Resistance Shift  |
| Resistance to Soldering Heat   | MIL-STD-202 Method 210<br>and MIL-PRF-55342 Para 4.8.8.1                                  | ≤ 5.0% Resistance Shift  |
| Resistance to Bonding Exposure | MIL-PRF-55342 Para 4.8.8.2  | ≤ 5.0% Resistance Shift  |
| Solderability                  | MIL-PRF-55342 Para 4.8.12   | >95% Covered   |
| High Temperature Storage       | 125°C ±2°C for 500 Hours  | 1.) ≤ 5.0% Resistance Shift<br>2.) No Significant Abnormality (Visual) |
| Thermal Shock                  | -65 to +125<br>30 Minutes Dwell, 5 Cycles   | 1.) ≤ 5.0% Resistance Shift<br>2.) No Significant Abnormality (Visual) |

Barry Industries reserves the right to change part number and/or process without notification.